

BATTERY CHARGER - MODEL AVNL180

USER MANUAL

FEATURES:

- Can charge 2 BP series of Lithium Ion battery pack.
- Quick charging on both battery channels sequentially.
- Auto safety features for damaged or misused batteries.
- Universal A/C input for global uses.

CHARGER OPERATION:

The charger is a sequential quick charger that will charge the Lithium battery in approximately 5 hours. It can charge 2 batteries sequentially. The sequence for battery charging is called the charging sequence loop. The charging sequence loop charging starts at channel 1 then progresses through to channel 2 then back to channel 1 again (1,2,1,2...) The charging automatically searches each channel for battery for charge, in a continuous loop. The charging sequence loop is interrupted only by the detection of valid battery to be charged.

OPERATING INSTRUCTION:

- Connect AC power cord firmly. (Fig.1)
- Turn the rear main power switch to ON, front panel LCD display will light. (Fig. 2)

- Operation:

1) Insert Battery Pack.....

The remaining voltage of the inserted battery will be shown on the LCD display. (Fig.3)

2) Battery Checking Mode.....

After few seconds, a word charge will be shown, it indicating the charger is in quick charging progress, or if the battery is faulty one, fault will be shown.

3) Charge End.....

When the battery is fully charged, full will be show instead of charge, indicating that the battery is ready to use.

4) Empty Slot.....

Empty will be light at empty slots.

- To dismount the battery from the charger, press the side lock (Step1) and slide out (Step 2) the battery. (Fig. 4)

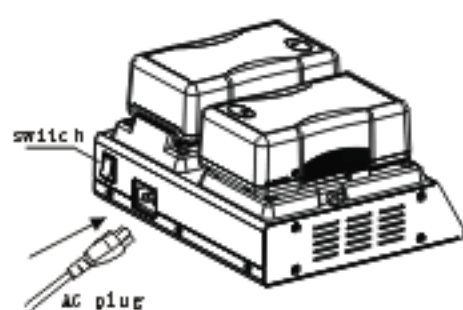


Fig. 1

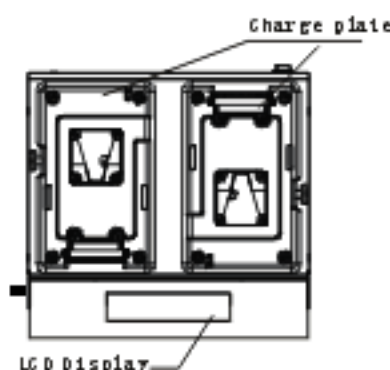


Fig. 2

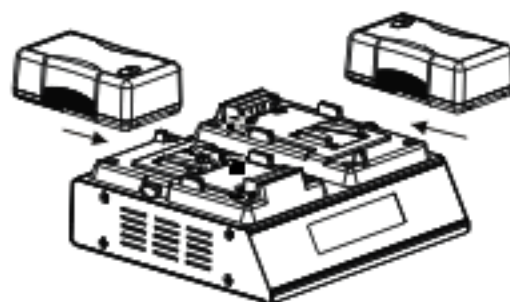


Fig. 3

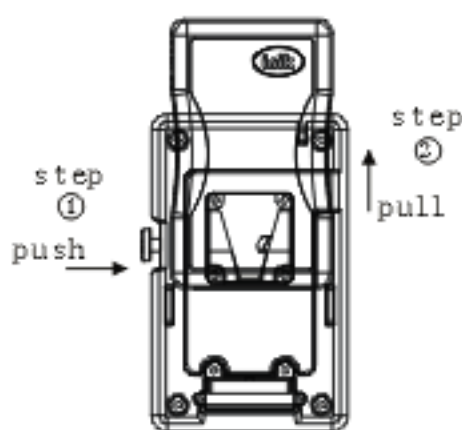


Fig. 4

SAFETY FEATURES:

The charger has built-in safety features to protect the charger as well as the batteries from serious damage in the event an attempt is made to charge a faulty battery. Low voltage batteries are detected prior to applying quick charge current. If low-voltage battery to be find, it will not be quick charging until it reaches to the acceptable quick charge level. This prevents any damage to the unit or to the battery. Batteries reaching an over voltage condition during charging will also be detected.

GENERAL NOTES:

- Do not place anything on the charger; do not block ventilation holes when charger in using.
- During Charging the temperature of the charger will rise, this is normal and not malfunction.
- Be sure to insert battery into the battery socket firmly.
- Do not attempt to use faulty batteries or batteries with incorrect specifications.
- Do not expose the charger to direct sunlight, using in well-ventilated place.
- Do not operate near equipment that might be influenced by noise, such as TV set... etc.
- Do not open the unit or attempt to repair any malfunction, there are dangerous power supply circuits inside. There is no user serviceable parts inside.
- The charger should be turned on prior to batteries insert.

SPECIFICATION:

- Applicable battery: F or BP series Lithium Ion battery only.
- Quick charging current: 2.0 A
- A/C Input: 100-220V AC 60/50 Hz auto-detected.
- DC output: 16.8V
- Weight: 1.79 Kgs approx.
- Dimension: 220.0x 190.5x82.9mm

