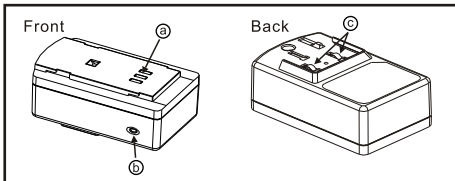


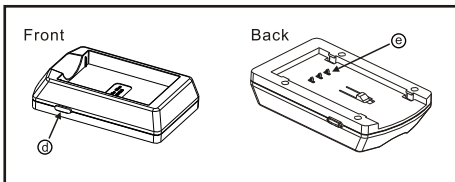
## COMPOSITION

### ► Charger Base



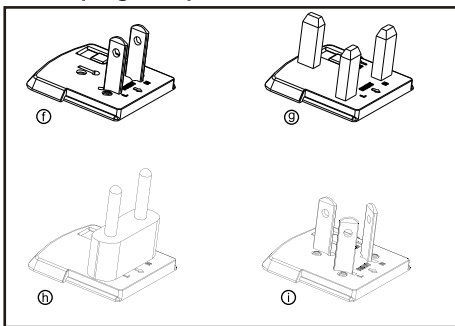
- (a) 3-Pins Metal Contact
- (b) LED Indicator
- (c) Power Input Metal Contact

### ► Interchangeable Charger Adaptor



- (d) Charger Adaptor Switch
- (e) 3-Pins Metal Contact

### ► Multi-plug-in Input Connectors



- (f) American Type Input Plug
- (g) British Type Input Plug
- (h) European Type Input Plug
- (i) Australian Type Input Plug

## SPECIFICATIONS

Applicable battery: For Li-ion battery only

Input: AC100~240V, 50~60Hz

Output: 4.2V or 8.4V

Operation current: 550mA/650mA

Weight: 69.59 g approx.

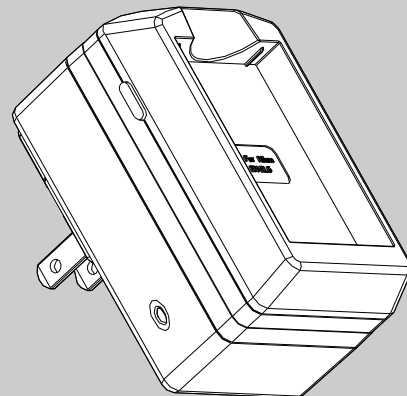
Dimension: 79.97 X 48.32 X 27.84 mm

## CAUTION

1. Charge at room temperature.
2. Store in cool and dry place.
3. Clean up the terminals with a soft cloth if soiled.
4. Unplug AC power adapter when not in use.
5. Do not expose the product to fire, water or moisture.
6. Do not use AC power adapter other than specified by manufacturer.

# Worldwide Traveling

## Li-ion Battery Pack Charger



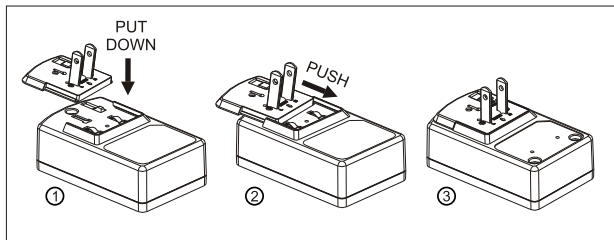
## Instruction Manual

### IMPORTANT

Before using this battery charger, read this manual carefully and make sure you are understand completely all instructions, safety rules contained in this manual.

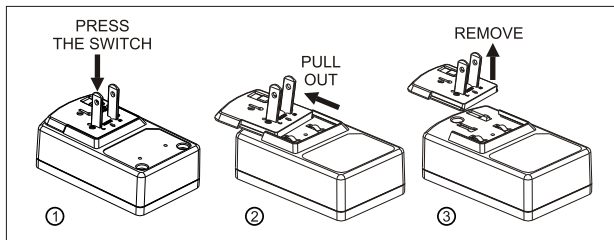


## TO ATTACH THE MULTI-INPUT PLUG



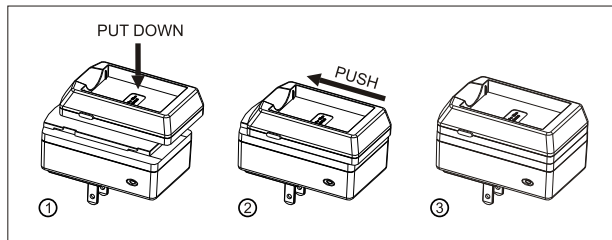
1. Choose a correct input plug which is suitable for your country use.
2. Attach the input plug to the bottom of charger base.
3. Make sure the input plug is fully insert into the charger base.

## TO REMOVE THE MULTI-INPUT PLUG



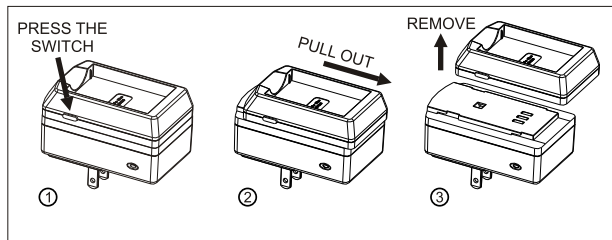
1. To release the input plug, press the switch which is local on the input plug adapter.
2. Pull out to fully release the input plug.
3. Now you can remove the input plug adapter easily.

## TO ATTACH THE CHARGER PLATE



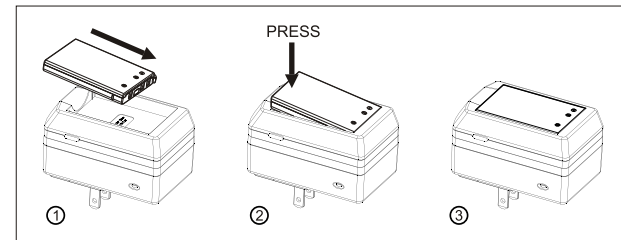
1. Attach the charger plate on the front of charger base.
2. Push the charger plate in with the direction show on the above figure.
3. You will heard a sound “clip” when the plate a fully insert to the charger base.

## TO REMOVE THE CHARGER PLATE



1. Press and hold the switch button to unlock the charger plate adapter.
2. Pull out to release the charger plate with the direction show on above figure.
3. Take out to remove the charger plate.

## INSERT THE BATTERY PACK



1. Slide battery pack into charger.
2. Depress to make the battery fully install into the battery apartment.
3. Plug the charger in a wall outlet and start to charge your battery.

## OPERATION INSTRUCTIONS

1. Plug the charger in a wall outlet.
2. The LED show flashing GREEN when the charger is ready.
3. Insert battery pack into the charger and LED indicator turns RED when charging.
4. LED indicator flashes RED and GREEN alternatively when battery pack has been charged to over 90%.
5. When the battery pack is fully charged, the LED indicator turns steady GREEN.
6. After the battery pack fully charged, unplug the charger from power outlet and remove the battery pack.